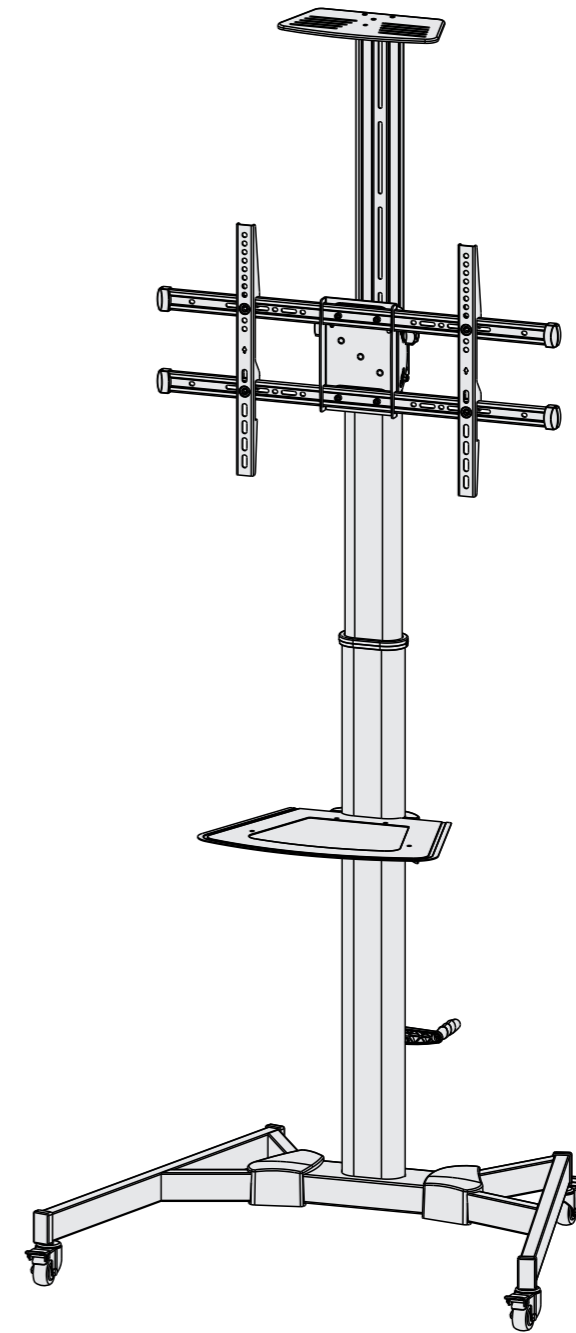


iiglo™

TV Cart



WARNING: EXCEEDING THE WEIGHT CAPACITY CAN RESULT IN SERIOUS PERSONAL INJURY OR DAMAGE TO EQUIPMENT!



INSTALLATION MANUAL

TVT202



200x200/400x200
300x300/400x400
600x400



rated
for TV
50kg/110lbs



rated
for DVD
5kg/11lbs



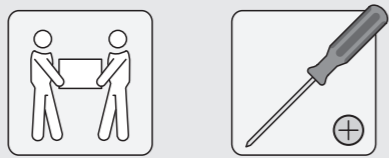
rated
for CAMERA
5kg/11lbs

NOTE: Read the entire instruction manual before you start assembly.

⚠ WARNING

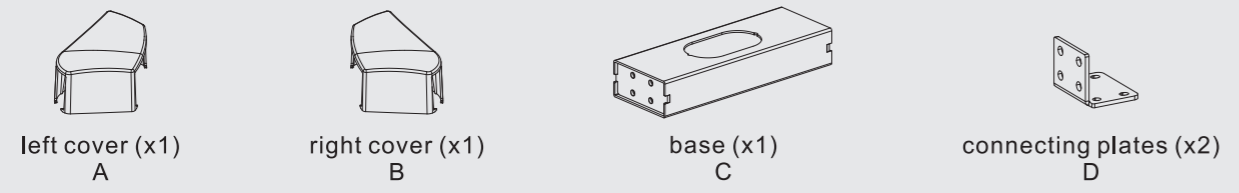
- Do not begin the installation until you have read and understood the instructions and warnings contained in this installation sheet. If you have any questions regarding any of the instructions or warnings, please contact your point of purchase.
- This mounting bracket was designed to be installed and utilized **ONLY** by following the instruction of this manual. Improper installation of this product may cause damage or serious injury.
- This product should only be installed by someone with professional mechanical ability who has basic building experience and fully understands this manual.
- Make sure that the supporting surface will safely support the combined weight of the equipment and all attached hardware and components.
- Always use an assistant or mechanical lifting equipment to safely lift and position the equipment.
- Tighten screws firmly, but do not over tighten. Over tightening can cause damage to the product, which largely reduces weight capacity.
- This product is for indoor use only. Using this product outdoors could lead to product failure and personal injury.

Requirement for Installation

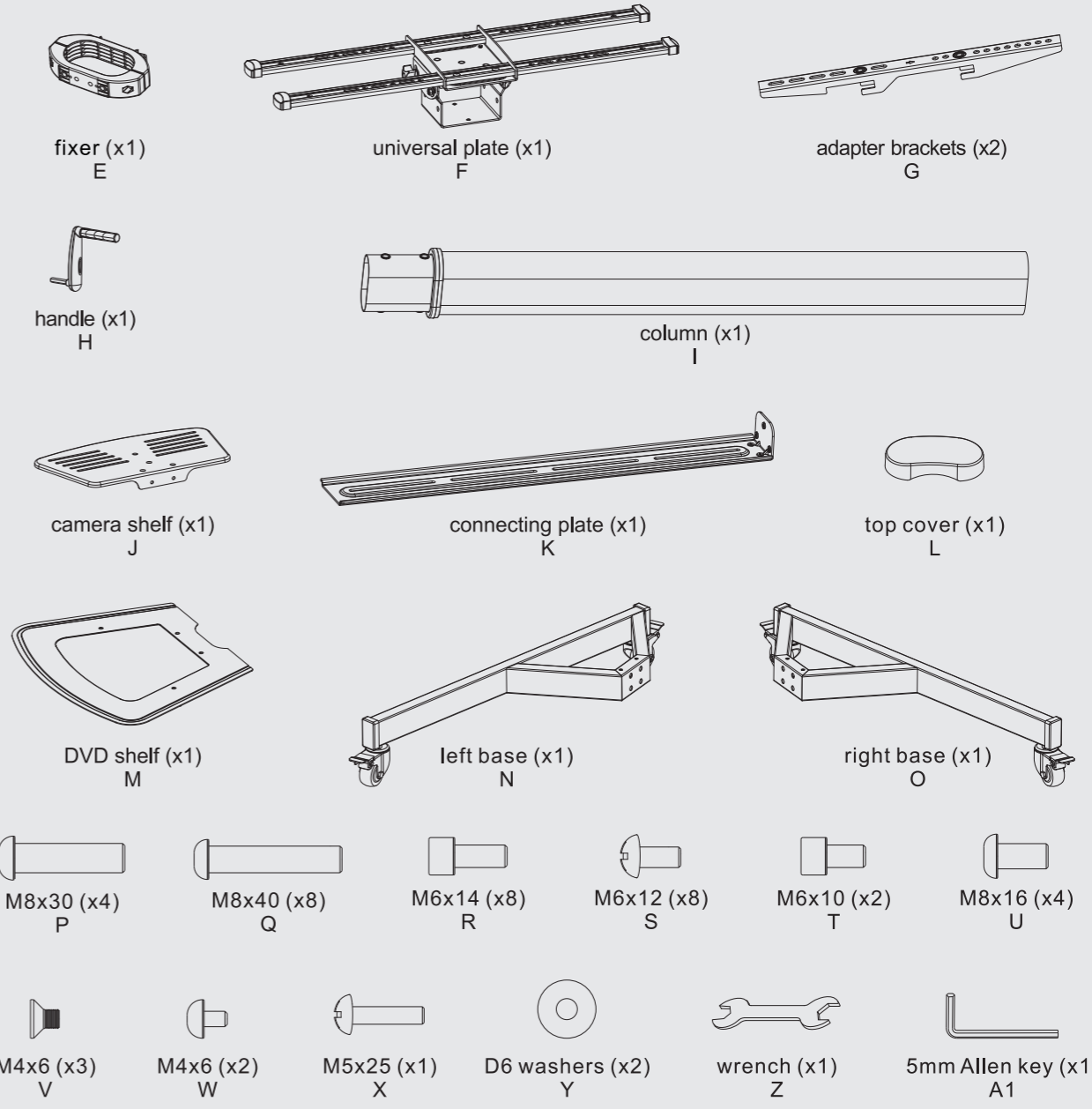


Parts Checklist

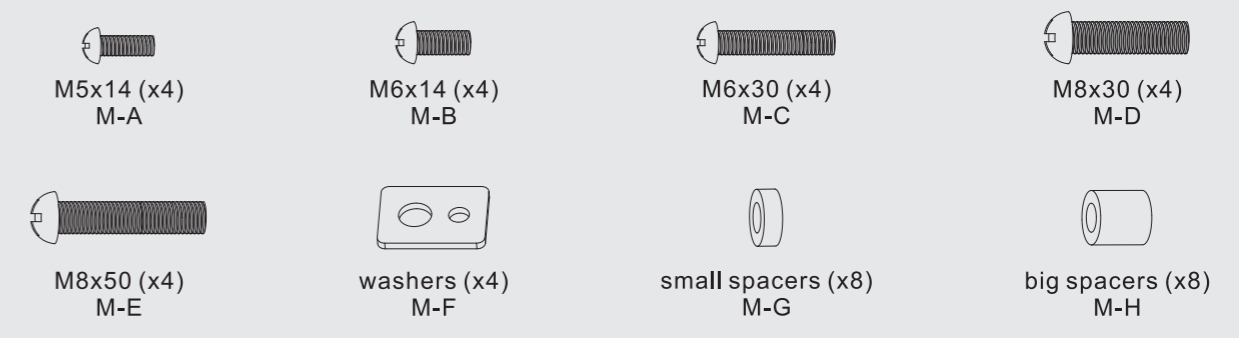
IMPORTANT: Ensure that you have received all parts according to the component checklist prior to installation. If any parts miss or isn't correctly provided, contact your point of purchase for a replacement.



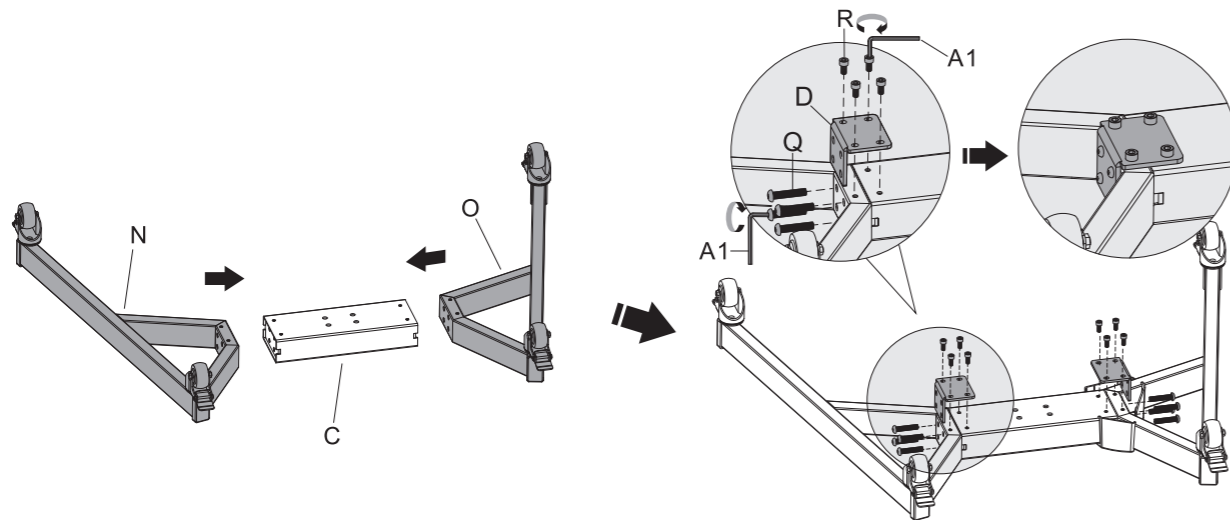
Parts Checklist



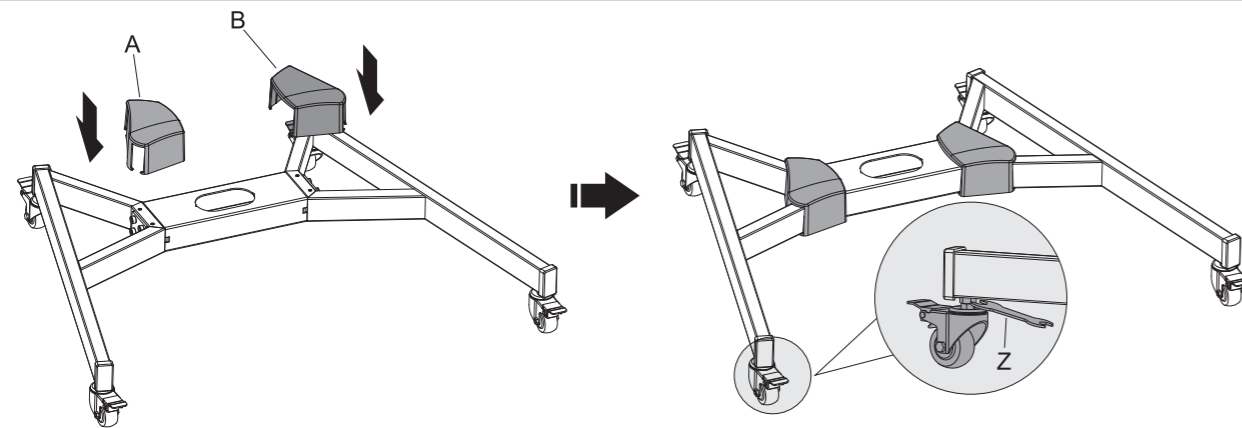
Package M



1. Assembling the Base

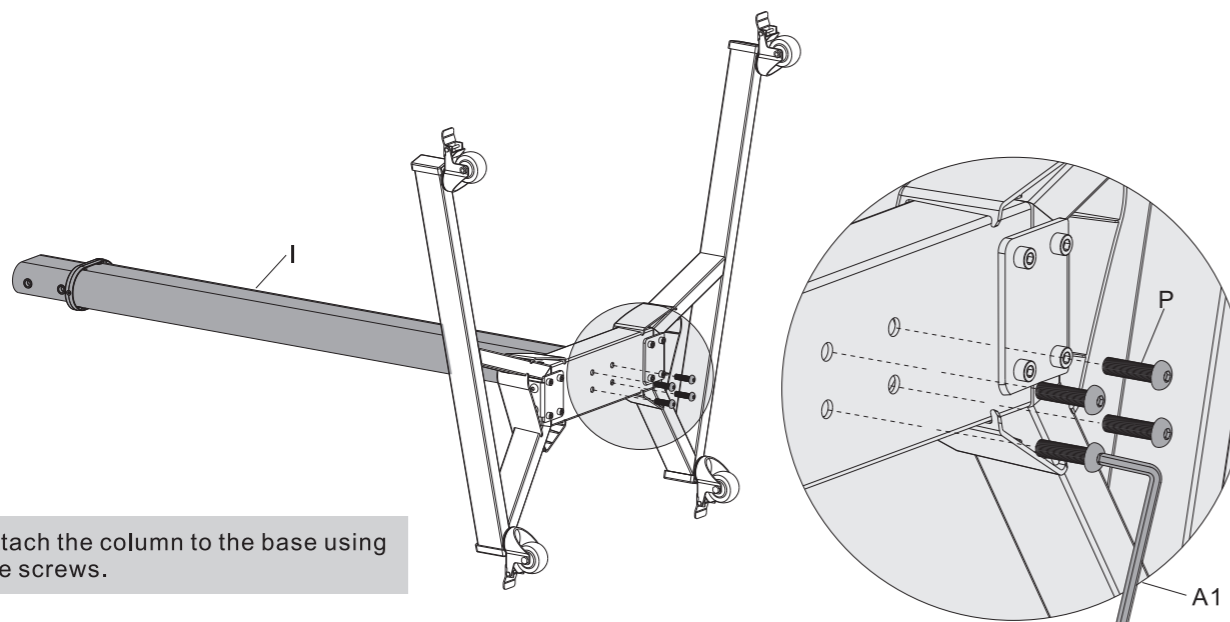


Insert the right base into the base. Align the holes on the right base to the holes on the base. Fix the base with the connecting plate and the screws. Repeat this step for the left base.



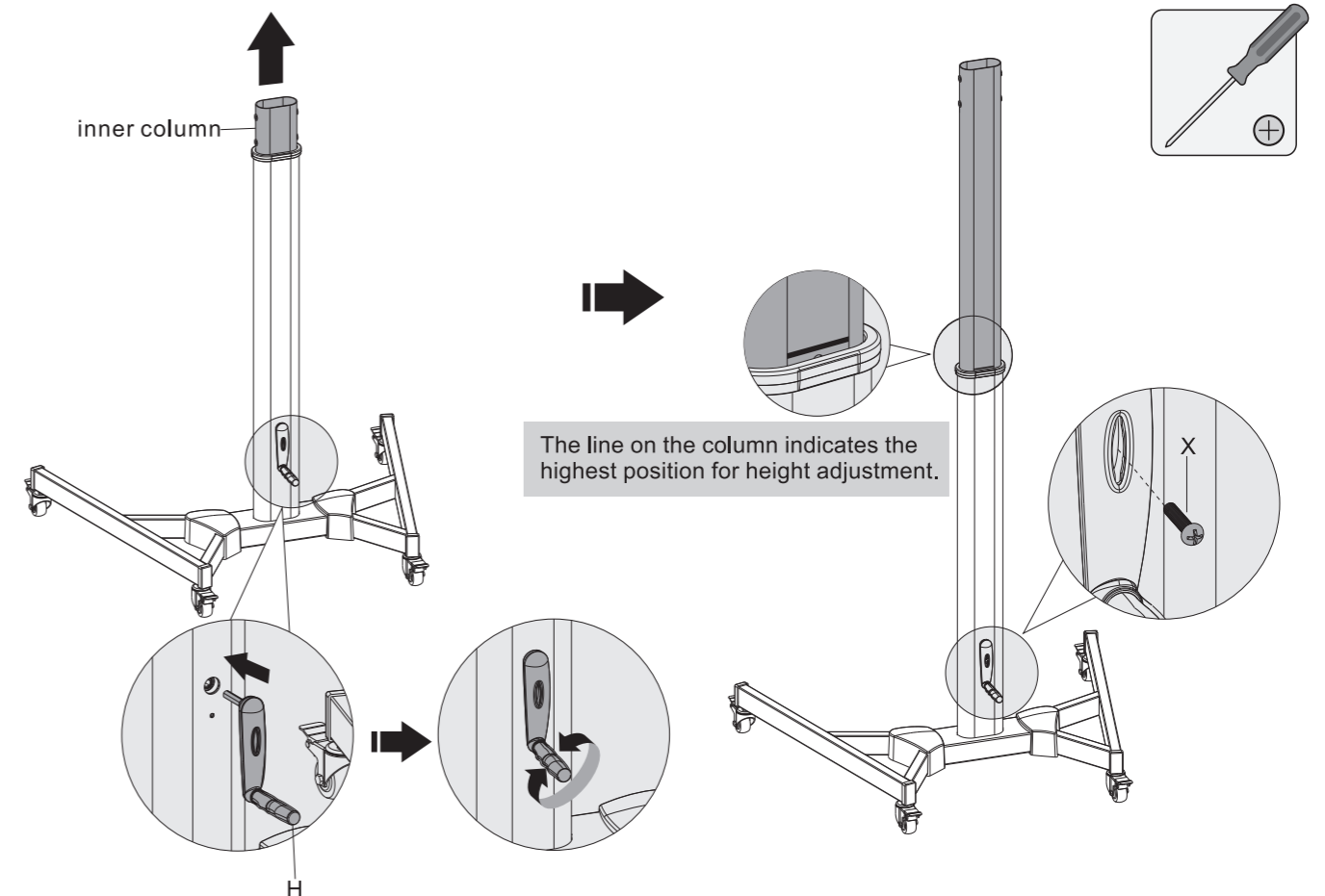
NOTE: Lock the brakes on the casters to avoid any unexpected movements during installation. Each caster can be adjusted independently for fine tuning. Slightly turn the nut to lower or raise the base.

2. Attaching the Column to the Base



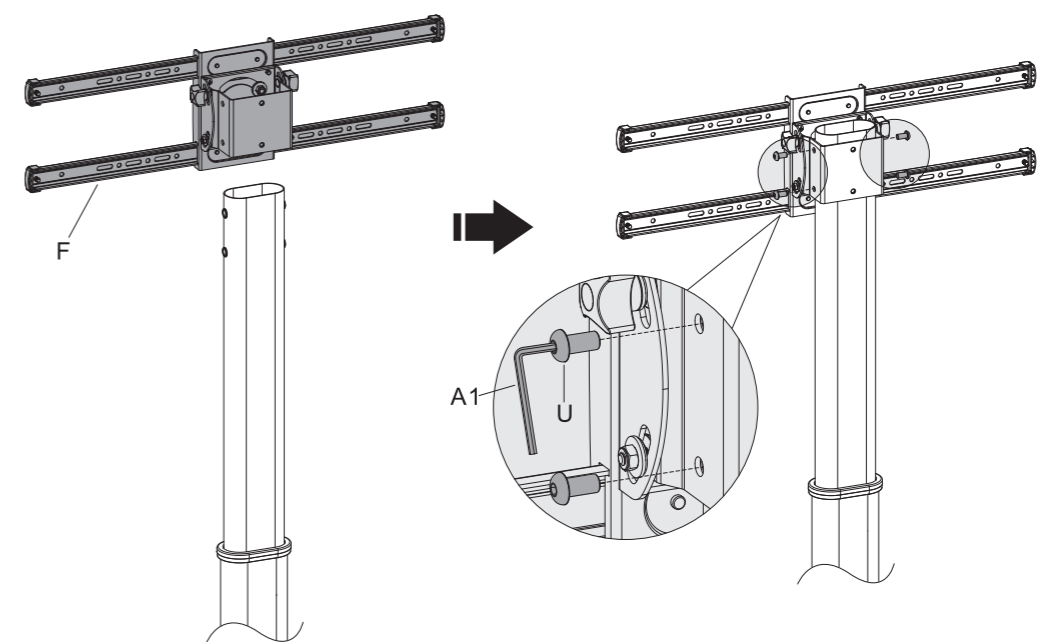
Attach the column to the base using the screws.

3. Adjusting the Column



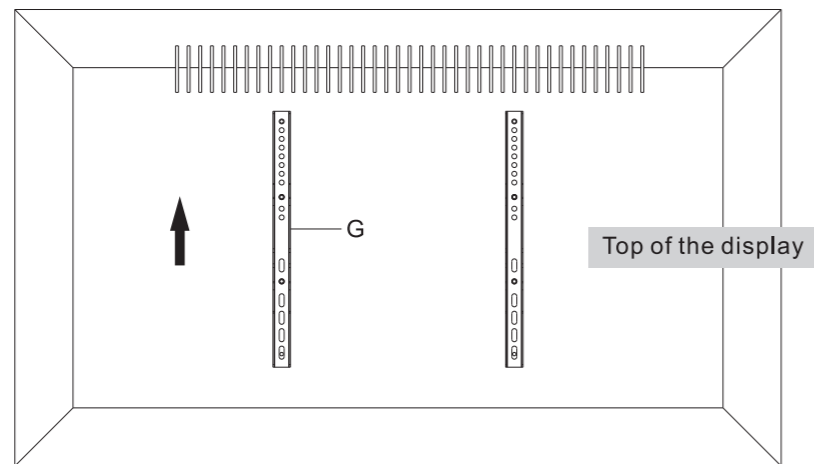
Turn the handle clockwise to raise the column.
Turn the handle anticlockwise to lower the column.
Use the handle to adjust the column to the desired height and secure using the appropriate screw.

4. Attaching the Universal Plate to the Column

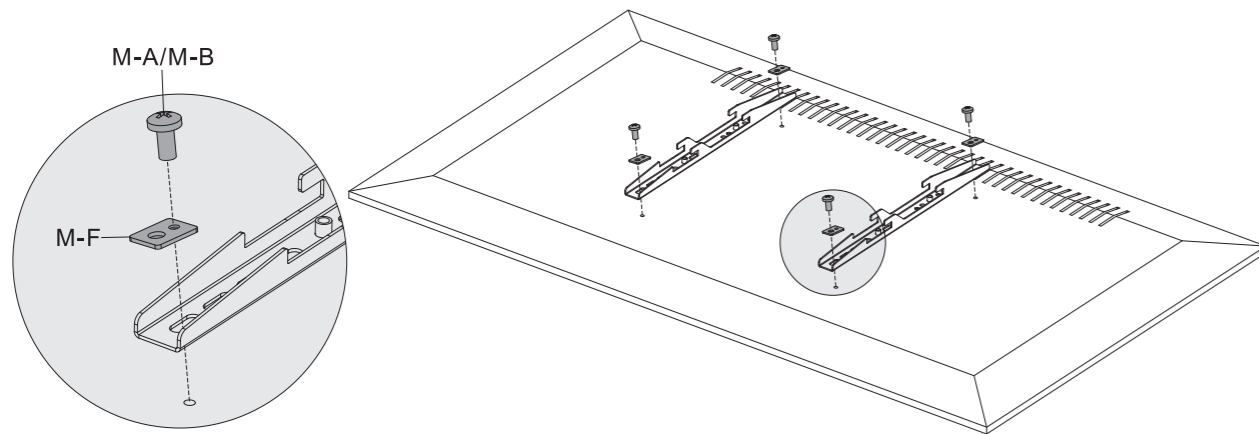
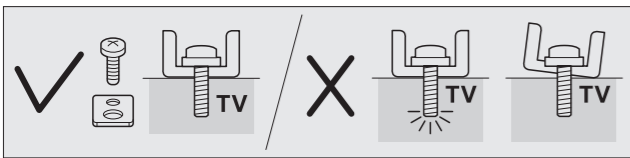


Attach the universal plate to the column using the appropriate screws.

5. Installing the Adapter Brackets



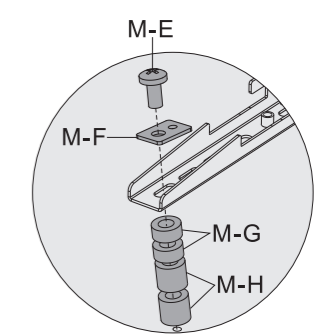
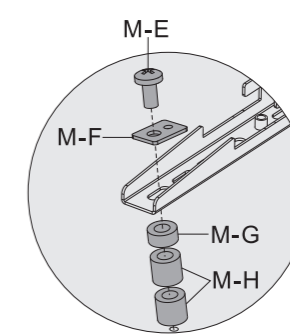
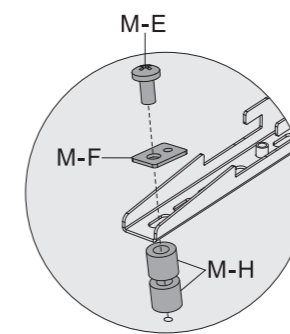
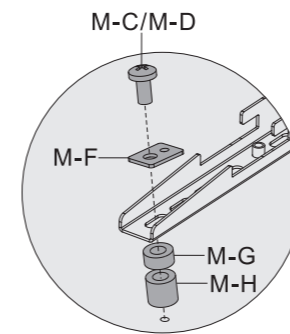
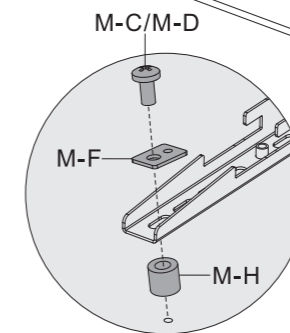
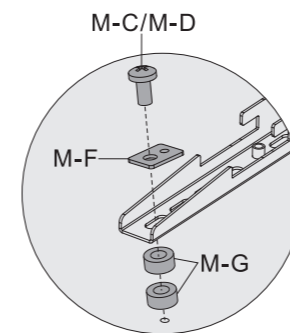
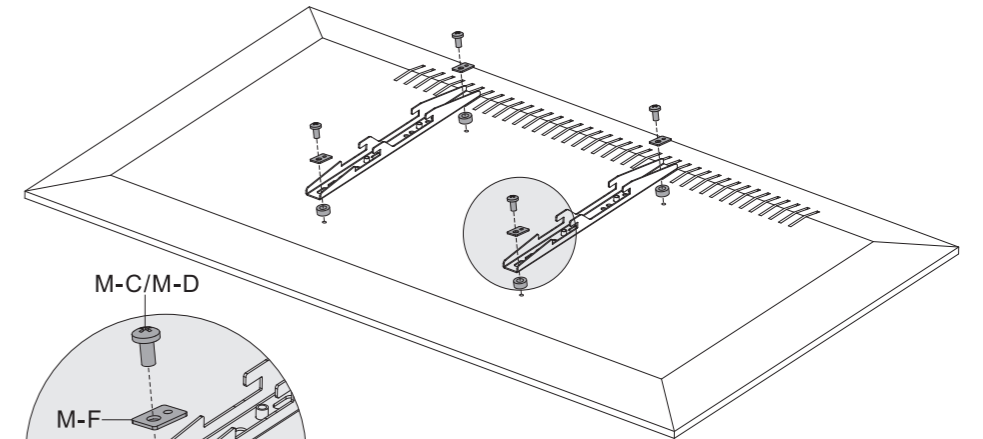
5a. For Flat Back Screens



M-A		M-B	
M-F			

1:1

5b. For Screens with Irregular Back



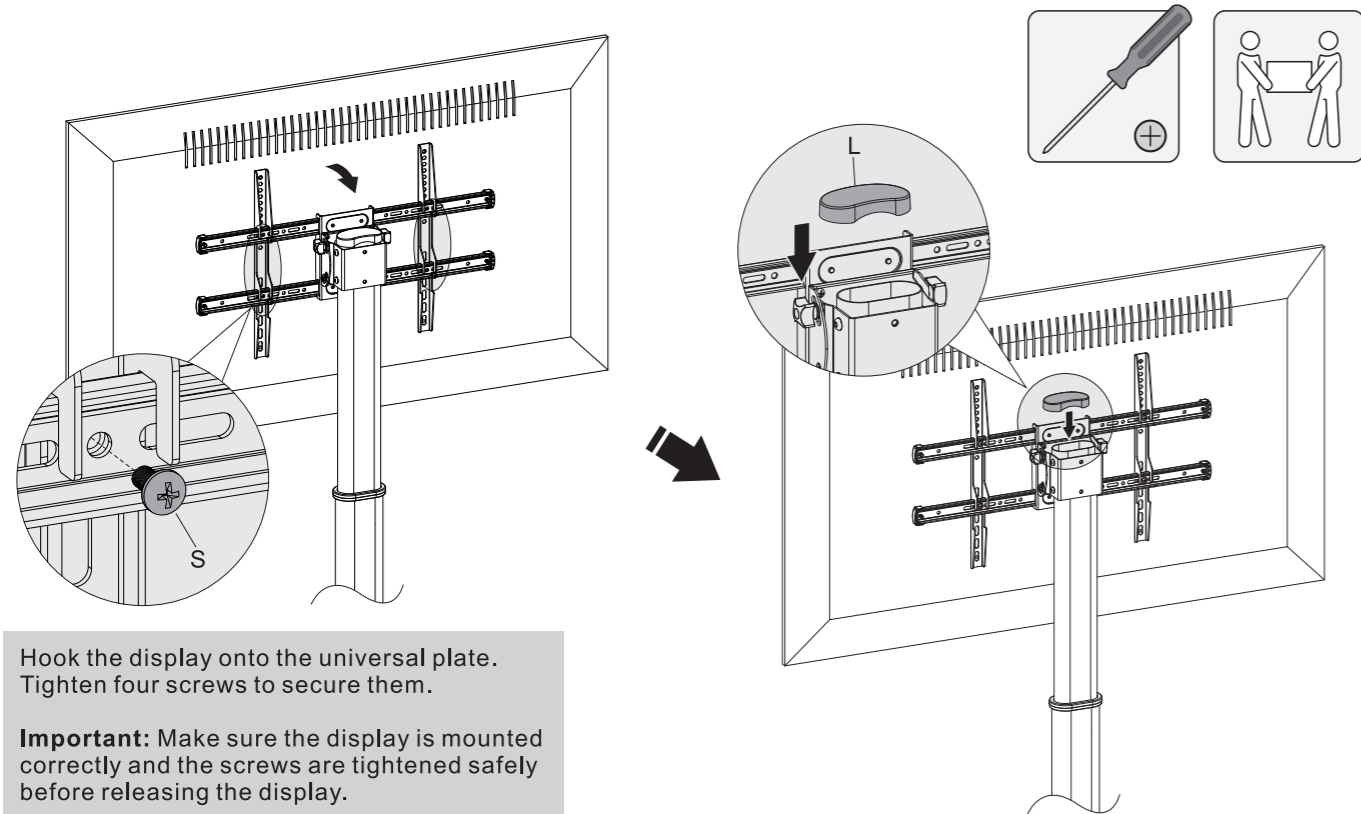
M-C		M-D	
M-E		M-F	
M-G		M-H	

1:1

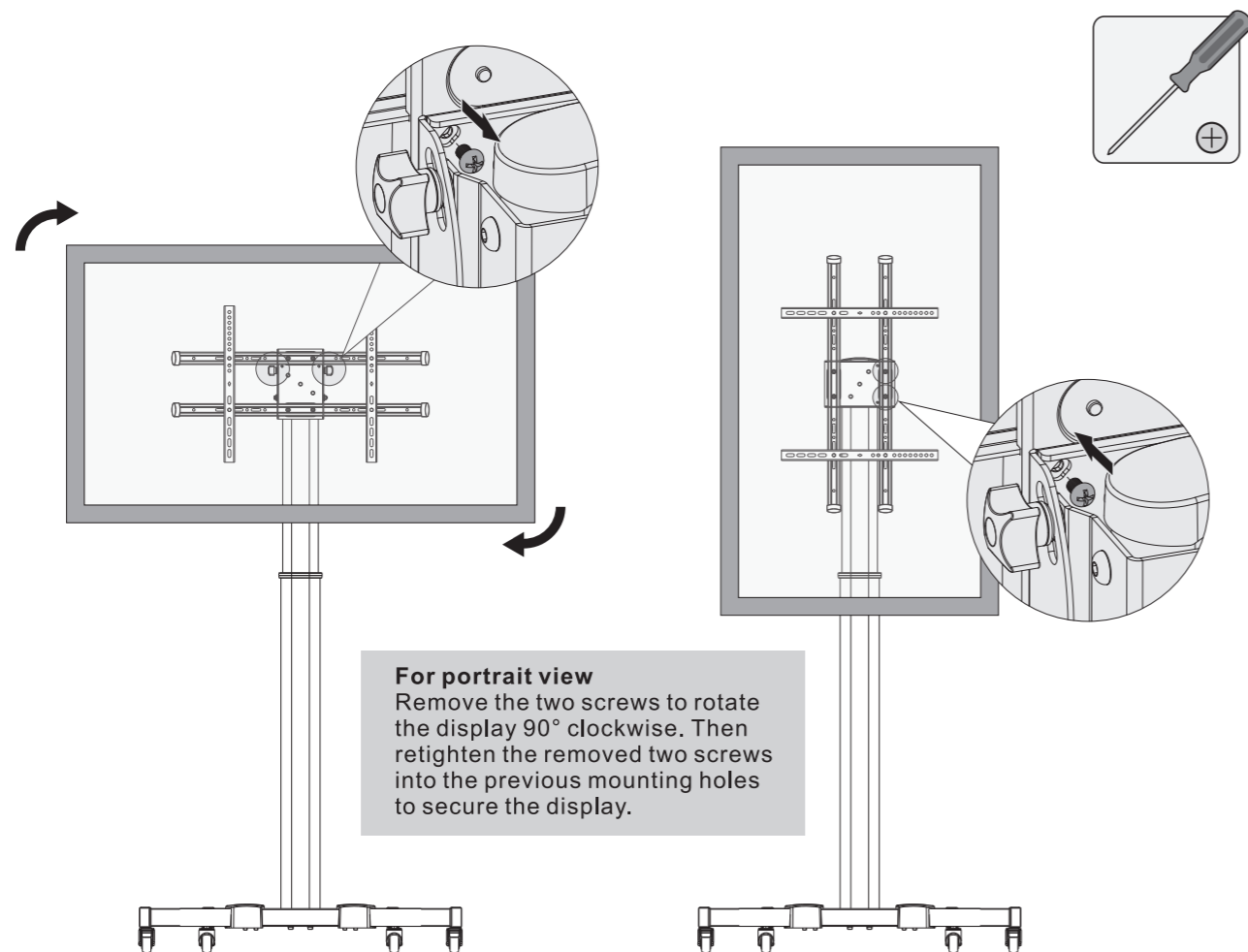
Note: Choose the appropriate screws, washers and spacers (if necessary) according to the type of screen.
 • Position the adapter brackets as close as possible to the center of the display.
 • Screw the adapter brackets onto the display.

⚠ Tighten all screws but do not over tighten.

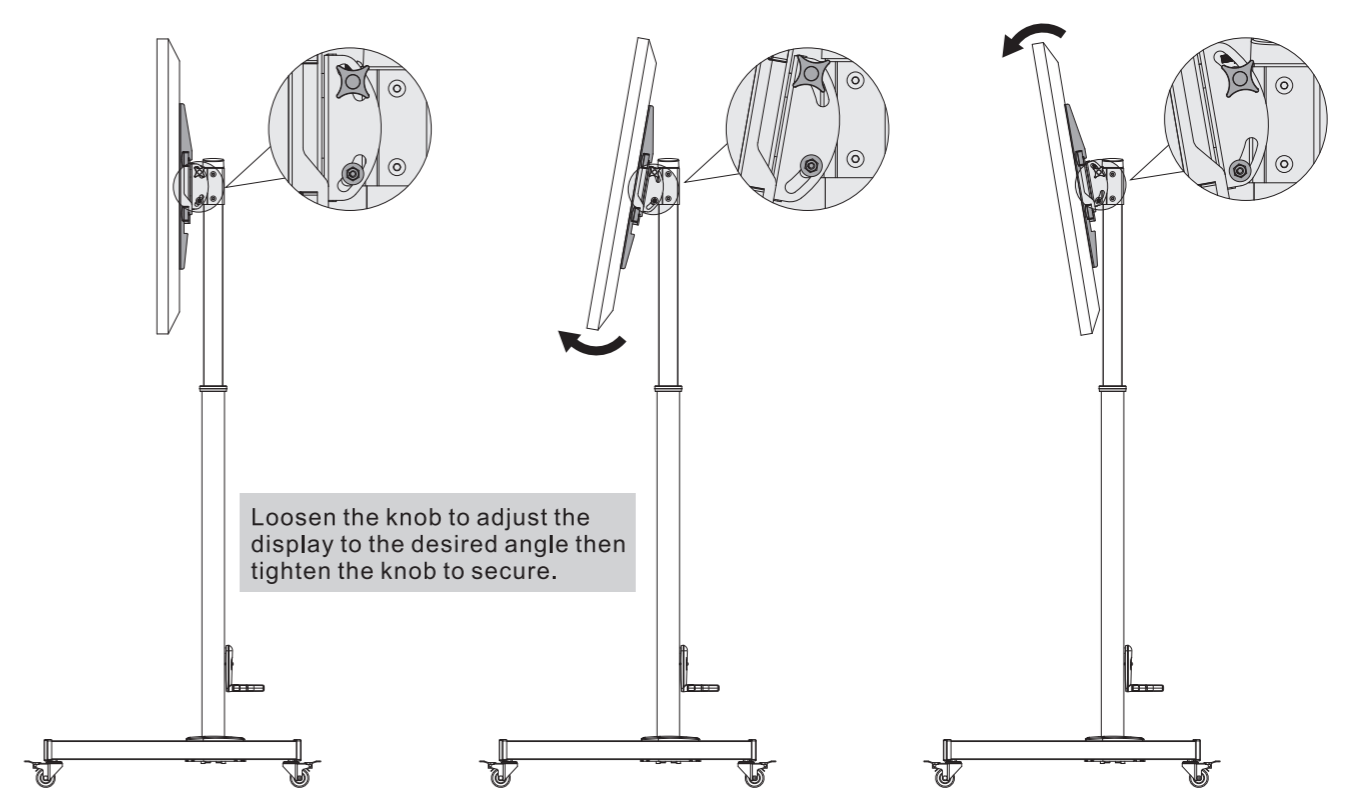
6. Hanging the Display onto the Universal Plate



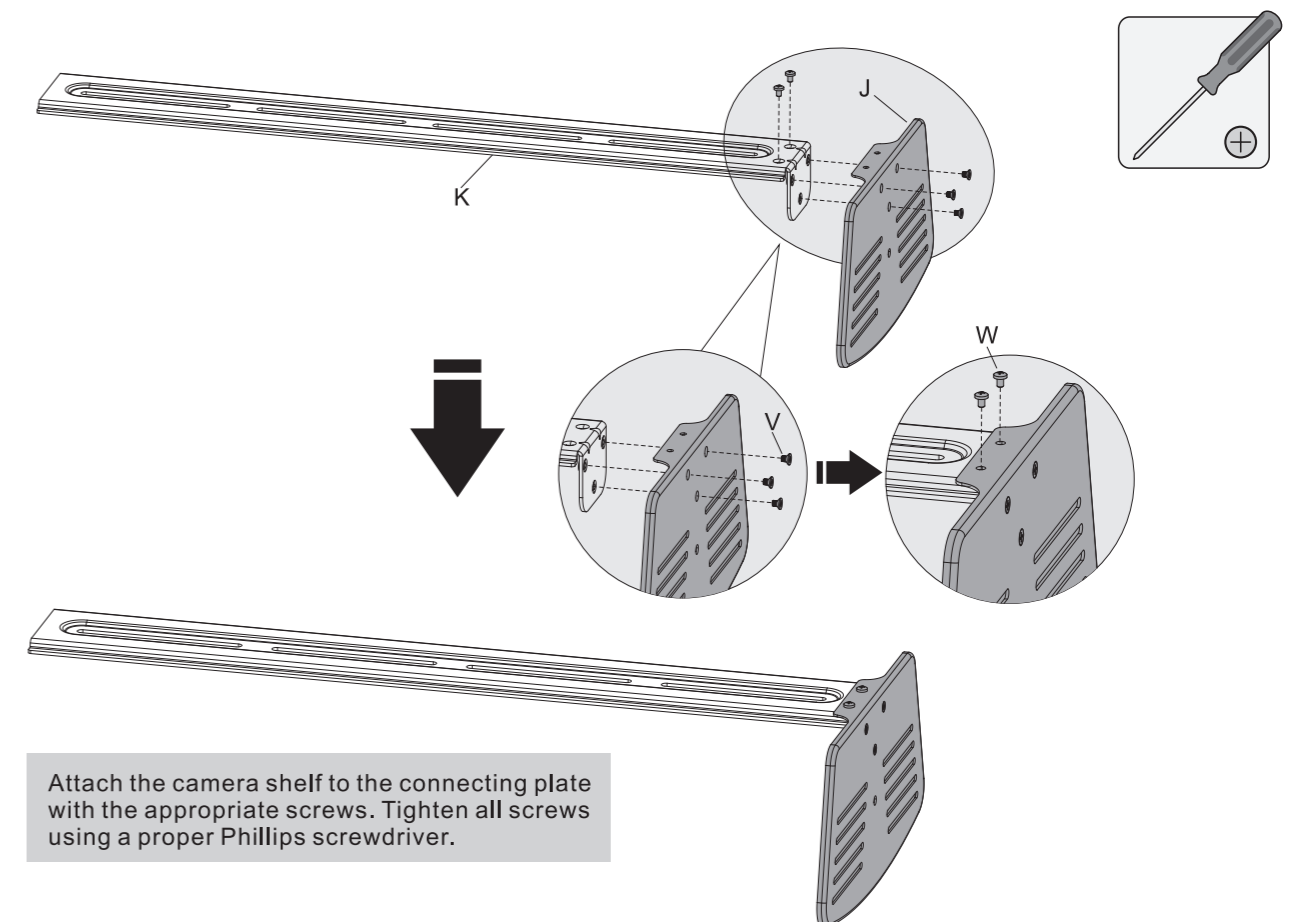
7. For Landscape or Portrait View



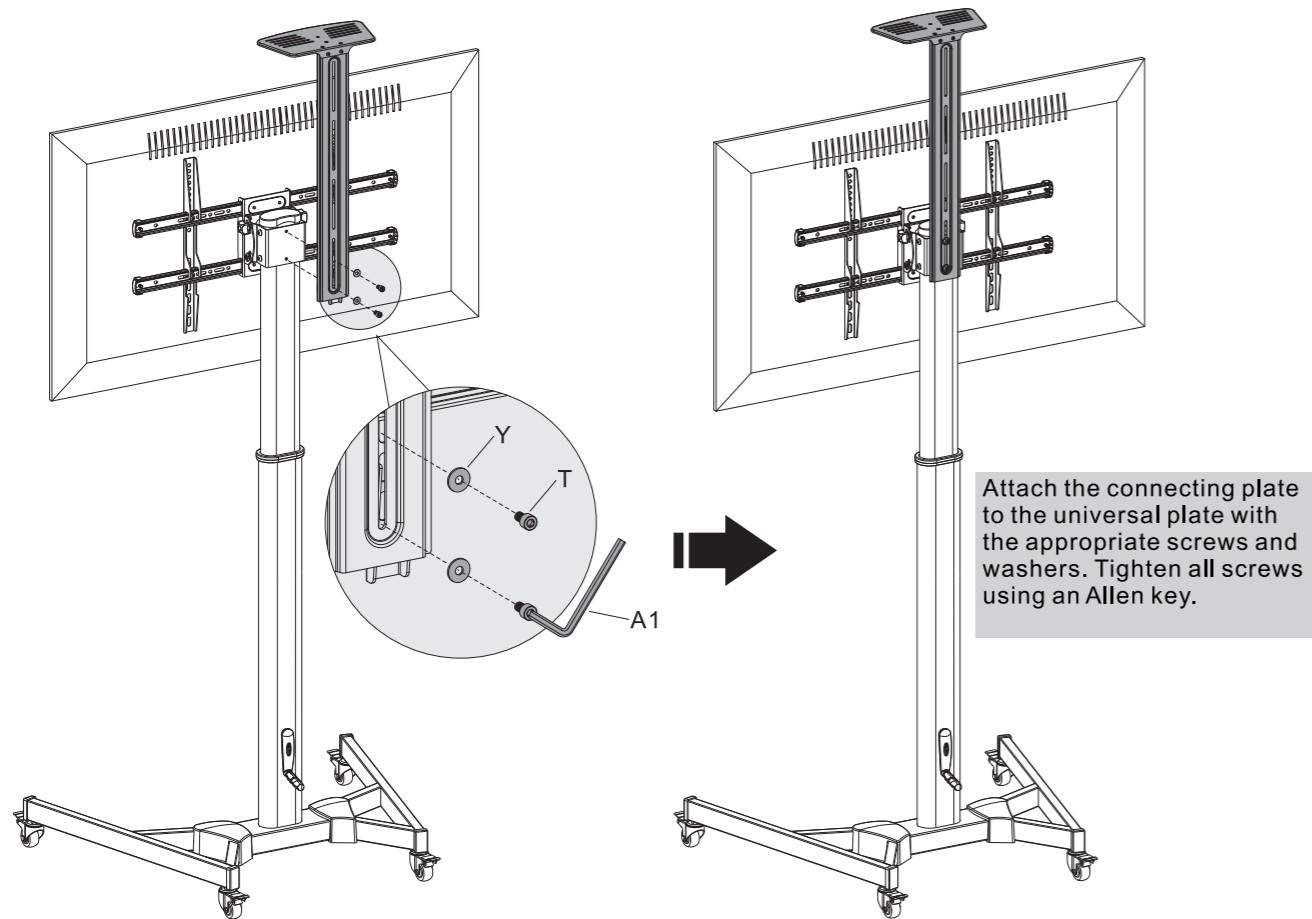
8. Angle Adjustment



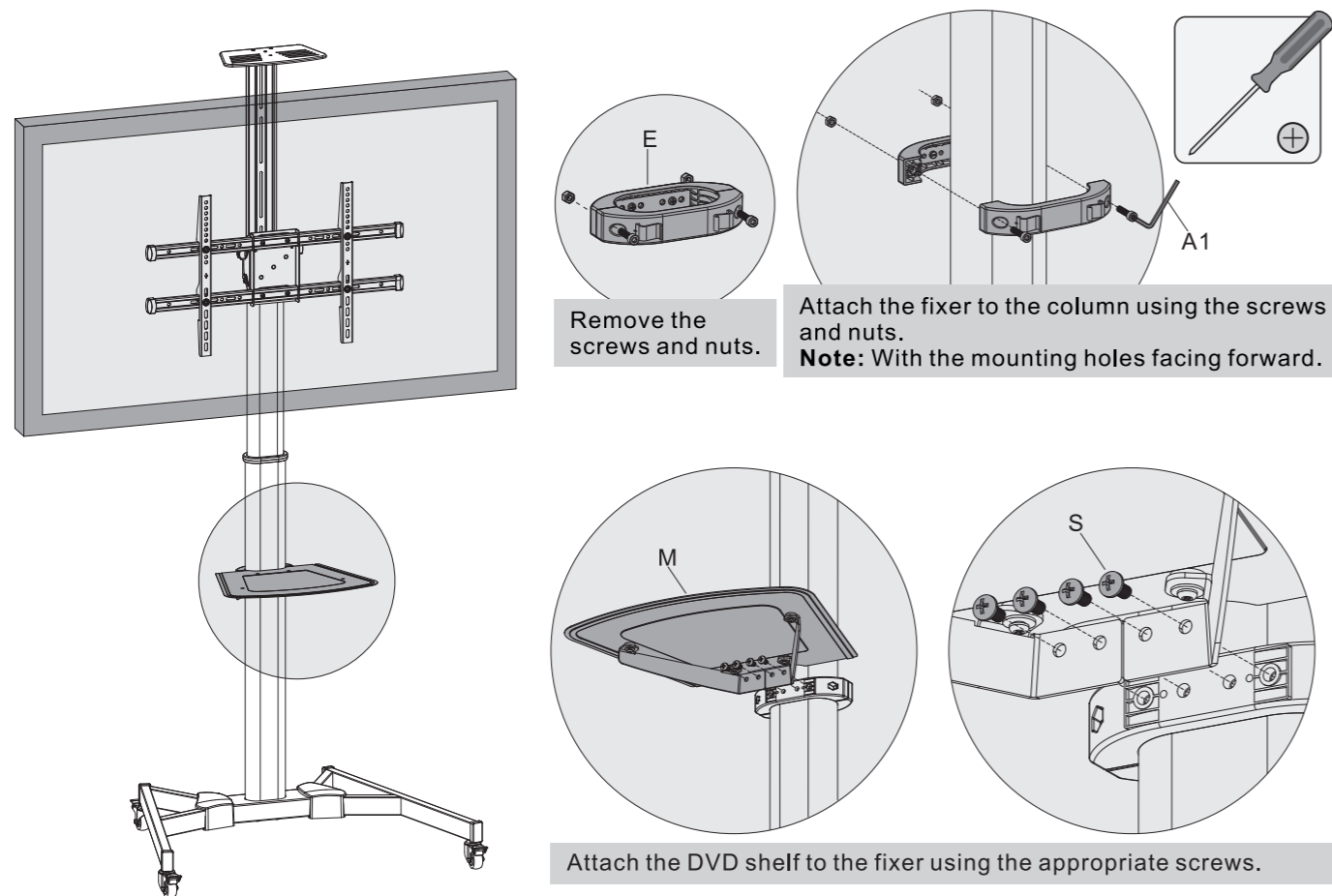
9. Installing the Camera Shelf



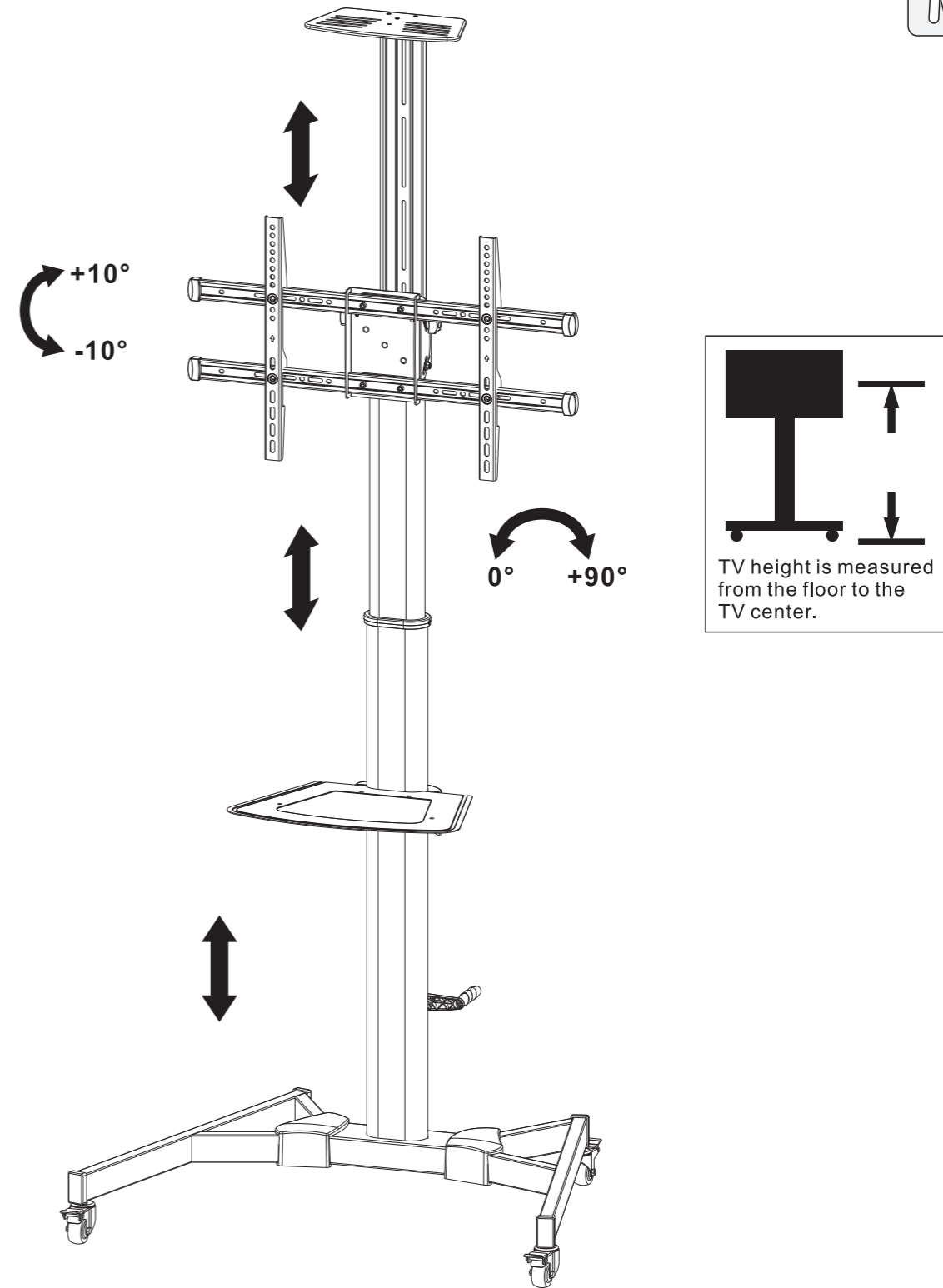
10. Installing the DVD Shelf



10. Installing the DVD Shelf



11. Adjustment



Note: It is recommended to adjust the column to the desired height before installing the display.

Maintenance

- Check if the bracket is secure and safe to use at regular intervals(at least every three months).
- Please contact your distributor if you have any questions.